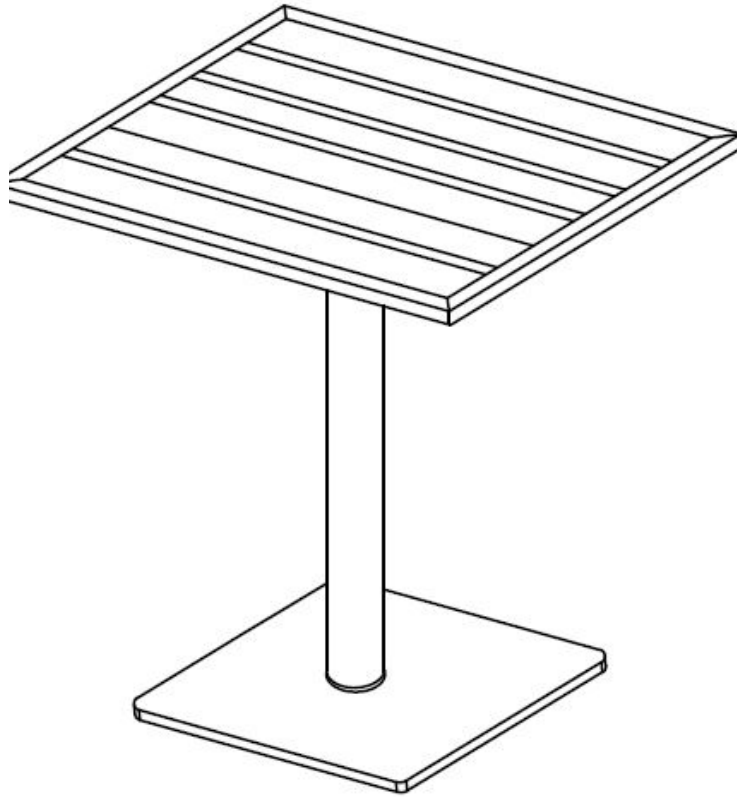




**DISPLAYS2GO**  
CONNECTING PEOPLE & BRANDS WITH THE WORLD



SKU: FDOMFST

# OUTDOOR SQUARE TABLE

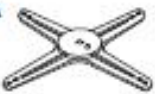








*Assembly Instructions*

---

# PARTS LIST



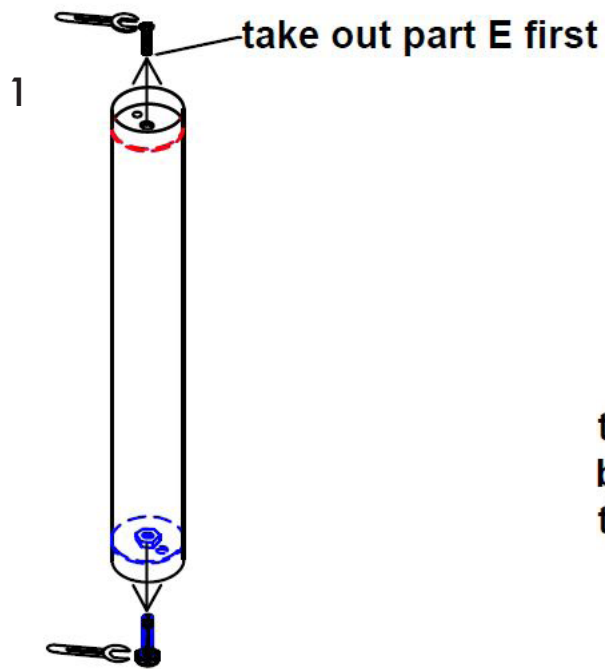
Scan QR code  
to visit product  
page

<p><b>A</b></p>  <p>1PC</p>	<p><b>B</b></p>  <p>1PC</p>	<p><b>C</b></p>  <p>1PC</p>	<p><b>D</b></p>  <p>1PC</p>	<p><b>E</b></p>  <p>M14x45 2PC</p>
<p><b>F</b></p>  <p>φ14 2PC</p>	<p><b>G</b></p>  <p>φ14 2PC</p>	<p><b>H</b></p>  <p>1/4" * 25 4PC</p>	<p><b>I</b></p>  <p>S4 1PC</p>	

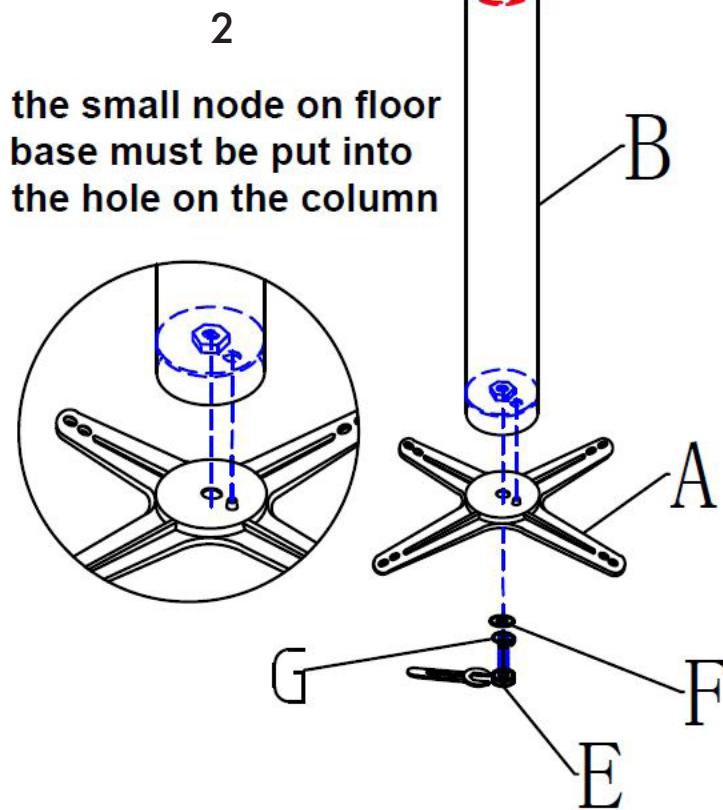
PART	QUANTITY
A: Table Frame .....	1
B: Base Pole.....	1
C: Table Base .....	1
D: Table Top .....	1
E: M14 * 45 Screw .....	2
F: Washer .....	2
G: Flex Washer .....	2
H: 1/4" * 25 Screw .....	4
I: Allen Wrench .....	1

REQUIRED TOOLS: Wrench

If you have any questions regarding our products, please visit us at [www.displays2go.com](http://www.displays2go.com) or contact D2G customer service at 844-221-3388.

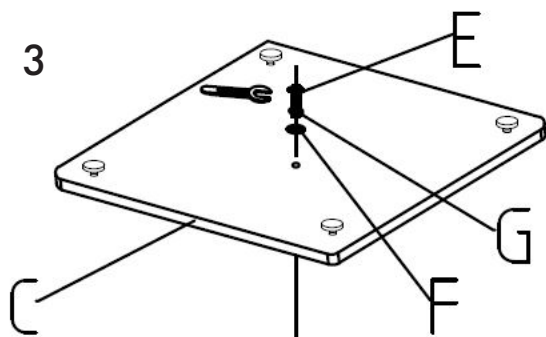


1. Using a wrench, remove screws (E) from base



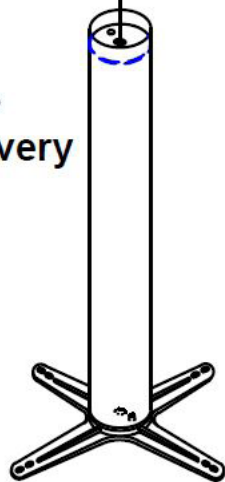
the small node on floor base must be put into the hole on the column

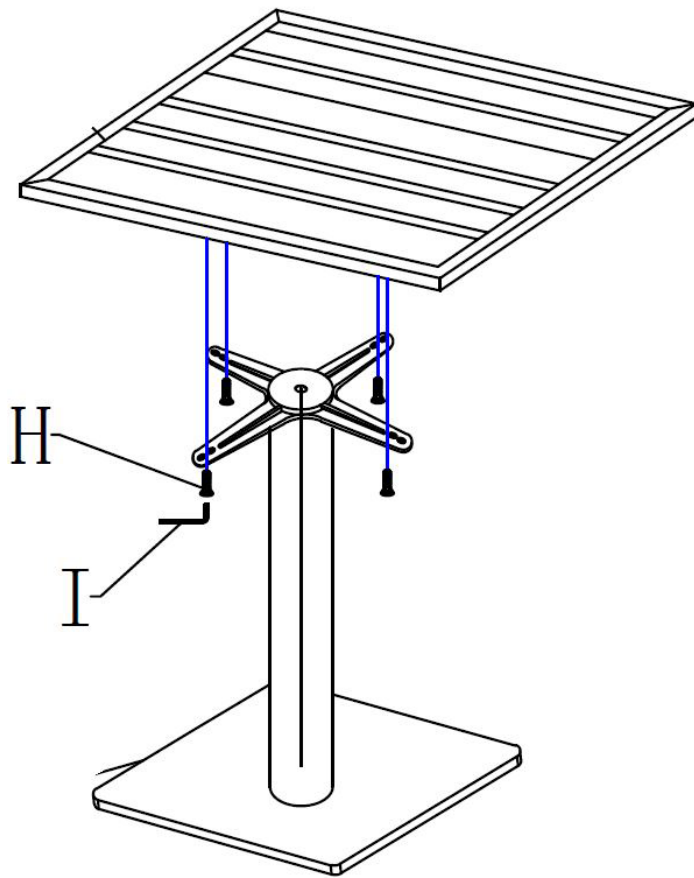
2. Place table frame on ground, and attach base pole using washers (F, G) and screw (E), as shown to the right.



Take care, the floor base is very heavy

3. Using washers (F, G) and screw (E), attach table base to the top of the base pole.

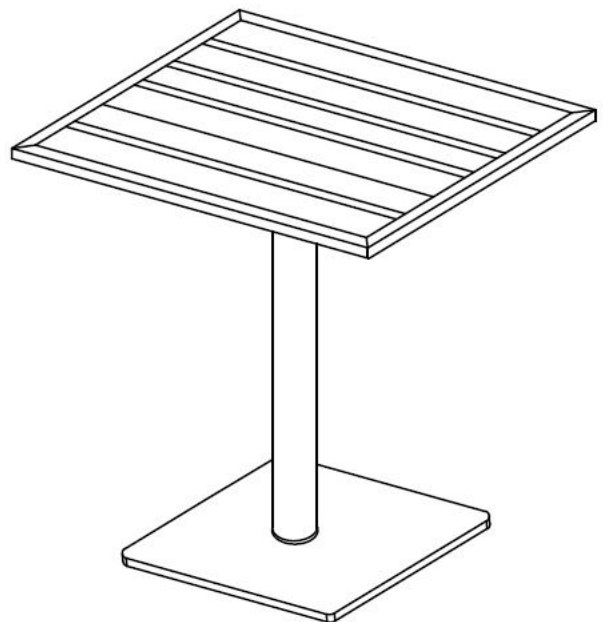




4. Using screws (H), attach tabletop to the table frame.

NOTE: Allen wrench required for this step.

*Enjoy your new outdoor table!*



CONTACT INFORMATION:  
WEB: [www.displays2go.com](http://www.displays2go.com)  
PHONE: 844-221-3388.